

# 9HS Metal Heater

Durable, efficient metal heater. Available in Steel, 304 Stainless Steel, 316 Stainless Steel, and Titanium.



### FEATURES

For use in most aqueous alkaline solutions, plating and phosphate tanks. Check solution recommendation chart with your chemical supplier for proper sheath material selection.





Heavy wall metal sheaths available in: steel, 304 stainless steel, 316 stainless steel, titanium.

Watt densities up to 46 watts per square inch (7.1 w/cm<sup>2</sup>) ensure long service life.

Vapor-resistant, flame retardant polypropylene terminal enclosure with 3 ft (.9m) flexible PVC liquid tight conduit.

Temperature and level controls sized to match the heater.

Lower watt densities for highly viscous solutions.

 <p>Temperature: Up to 180°C</p>	 <p>200 to 600 volts, 600V on 4,500W or lower only</p>
 <p>Watts: 9000 to 31,500</p>	 <p>cULus listed (except steel). CE compliant (except 600 volts)</p>

9HS SERIES, NINE ELEMENT STAINLESS STEEL HEATERS					
WATTS	VOLTS	HOT ZONE In./(mm)	OVERALL LENGTH In./(mm)	MODEL NUMBER	SHIP WGT. Lbs./.(kg)
9000	240	10	17	9HS9217-**	16
	480	(254)	(432)	9HS9417-**	(7.3)
13500	240	16	23	9HS13.5223-**	19
	480	(406)	(584)	9HS13.5423-**	(8.6)
22500	240	20	29	9HS22.5229-**	23
	480	(508)	(737)	9HS22.5429-**	(10.4)
31500	240*	25	34	9HS31.5234-M-**	25
	480	(635)	(864)	9HS31.5434-**	(11.3)

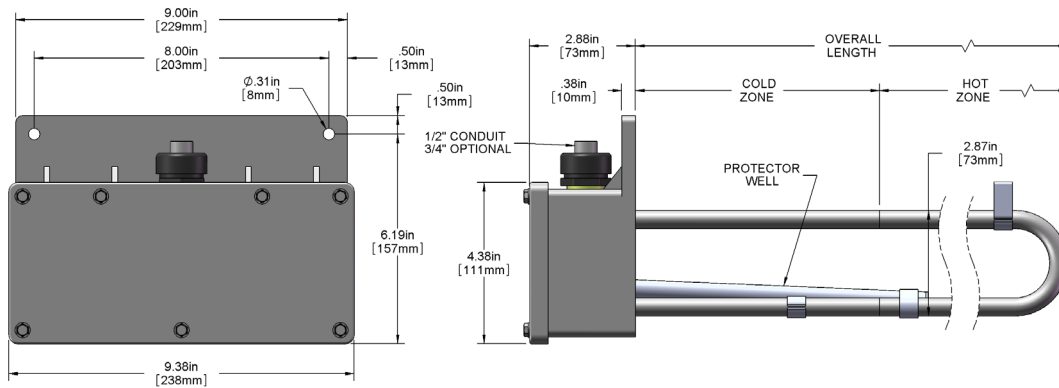
call 1-440-974-1300 • visit [processtechnology.com](http://processtechnology.com) • or contact your local representative for more information

# 9HS Metal Heater

## SPECIFICATIONS

Wattages	9000 Watts to 31,500 Watts
Voltages	200 volts to 600 volts, (600V on 4,500W or lower only)
Temperature Range	Up to 180°C (82°F)
Options	Special configurations & lengths Longer wire and conduit lengths All metal welded junction box
Safety Features	Grounded construction Thermal protector built in. Replaceable PI protector standard for solutions up to 180°C (82°F). See chart below for options

## DIMENSIONS



## MODEL NUMBER BREAKDOWN

9HS	13.5	3	23	-	P4	-
Series	Wattage	Voltage	Overall Length (In.)	Phase	Type of Protector	Wire & Conduit Length
9HS = 9 element, 316 stainless steel	9 = 9000	2 = 240	17 = 9kW	no designator = three phase(std)	<b>Replaceable Fuse</b>	36" length standard (no designator)
	13.5 = 13500	3 = 380	23 = 13.5kW	-1 = single phase	P1 (std) = solutions up to 180°F	Specify variations from standard Ex: -X84 = 84"
	22.5 = 22500	4 = 480	29 = 22.5kW		P4 = solutions up to 230°F	
	31.5 = 31500	5 = 415	34 = 31.5kW		P5 = solutions up to 300°F	
		6 = 600			<b>Resettable Fuse</b>	
		7 = 400			P2 = solutions up to 180°F	
		8 = 208			P6 = solutions up to 230°F	
		9 = 220			P7 = solutions up to 300°F	
		0 = 200				

call 1-440-974-1300 • visit [processtechnology.com](http://processtechnology.com) • or contact your local representative for more information